

STAKKAbox for Traffic Signalling & Street Lighting



APPLICATION: The product is designed for use in both foot way & roadway installations. It is used and approved by many Local Authorities in their traffic control & street lighting infrastructure. Where it provides access to underground ducting and cables.

CHAMBER SUMMARY

INTERNAL LENGTH	INTERNAL WIDTH	STANDARD DEPTH*	ADDITIONAL DEPTH INCREMENTS	110mm DUCT ENTRIES	PRODUCT CODE
600mm	600mm	475mm	155mm	4 + 4 + 4 + 4	1001006
600mm	450mm	450mm	150mm	4 + 3 + 4 + 3	1001012
450mm	450mm	475mm	155mm	3 + 3 + 3 + 3	1001013
450mm	300mm	475mm	155mm	3 + 2 + 3 + 2	1001020
300mm	300mm	475mm	155mm	2 + 2 + 2 + 2	1001021

* Inside working depth of chamber only, please also add the depth of the surface frame and cover in order to determine the complete chamber depth.

1.0 DETAIL

Traffic Signalling & Street Lighting chambers consist of three sections of STAKKAbox. In the bottom section there are capped off, pre made duct entries. Please refer to the Data Sheet listed for specific details on each of these sections.

2.0 REFERENCE STANDARDS

EN124 B125 & D400 Vertical Loading requirements
(Without the need for support material)
BS5834.Part4.1993 Side Wall loading for small chambers

3.0 REFERENCE DOCUMENTS

3.1 WEIGHTS & PACKING

Please refer to each product data sheet (as listed)

3.2 DIMENSION DETAIL

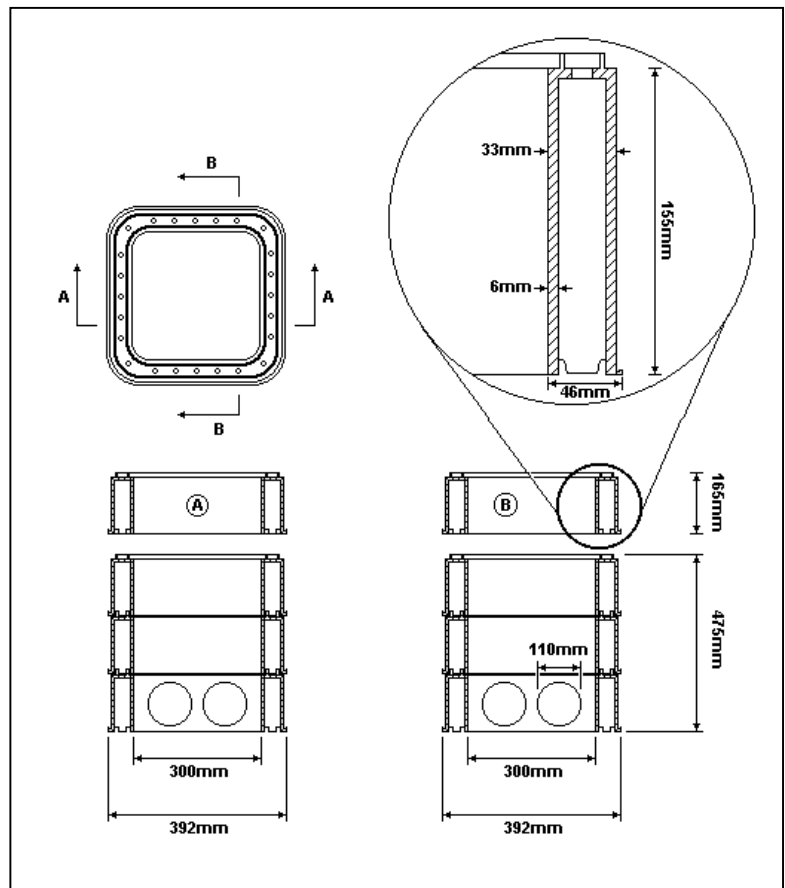
Please refer to each Type drawing that follows

3.3 INSTALLATION METHOD

Please refer to Field Installation Guide 004

300x300 CHAMBER
ITEM CODE : 1001006

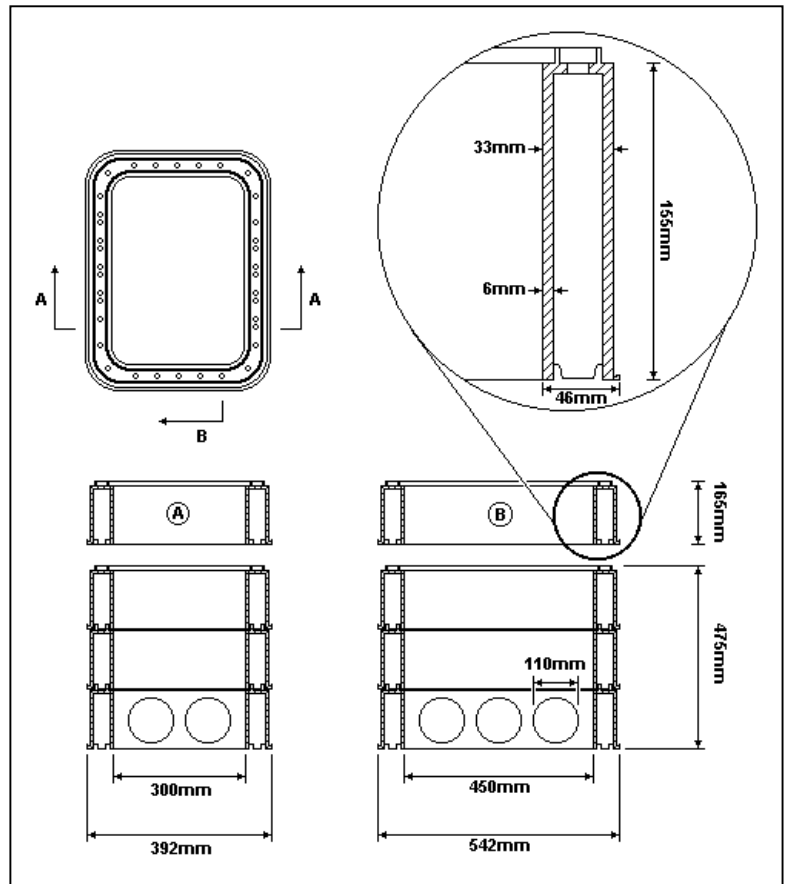
ITEM	DETAILS	DAT No.
CHAMBER	STAKKAbOX MODULA 300mm LONG x 300mm WIDE x 460mm DEEP	009
DUCT ENTRIES (pre-made)	2 x 110mm IN EACH 300mm SIDE OF THE BOTTOM SECTION	
FRAME & COVER OPTION 1	EN124 B125 COMPOSITE COVER & GALVANISED STEEL RAISING FRAME	
FRAME & COVER OPTION 2	EN124 B125 DUCTILE IRON COVER & FRAME	
FRAME & COVER OPTION 3	EN124 B125 CONCRETE INFILL COVER & GALVANISED STEEL RAISING FRAME	
FRAME & COVER OPTION 4	EN124 D400 DUCTILE IRON COVERS & FRAME	
COVER DETAIL (ALL)	BADGED 'TCSU'/'LIGHTING'	



DUCT ENTRY NOTE: Duct entries can also be made on site, please refer to the Field Installation Guide FIG004.

450x300 CHAMBER
ITEM CODE : 1001012

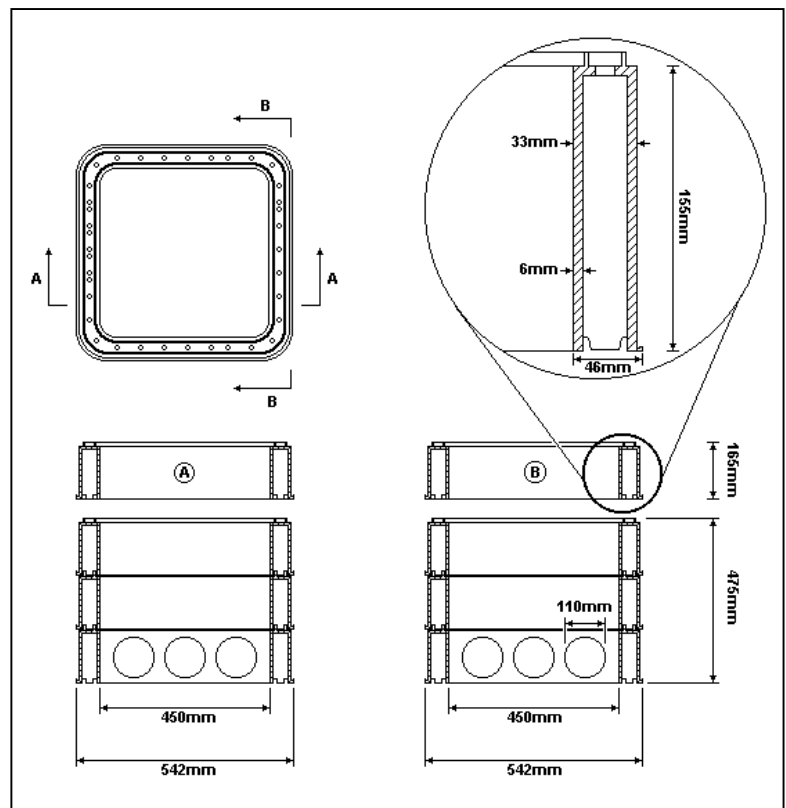
ITEM	DETAILS	DAT No.
CHAMBER	STAKKAbOX MODULA 450mm LONG x 300mm WIDE x 460mm DEEP	010
DUCT ENTRIES (pre-made)	3 x 110mm IN EACH 450mm & 2 x 110mm IN EACH 300mm SIDE OF THE BOTTOM SECTION	
FRAME & COVER OPTION 1	EN124 B125 COMPOSITE COVER & GALVANISED STEEL RAISING FRAME	
FRAME & COVER OPTION 2	EN124 B125 DUCTILE IRON COVER & FRAME	
FRAME & COVER OPTION 3	EN124 B125 CONCRETE INFILL COVER & GALVANISED STEEL RAISING FRAME	
COVER DETAIL (ALL)	BADGED 'TCSU'/LIGHTING'	



DUCT ENTRY NOTE: Duct entries can also be made on site, please refer to the Field Installation Guide FIG004.

450x450 CHAMBER
ITEM CODE : 1001013

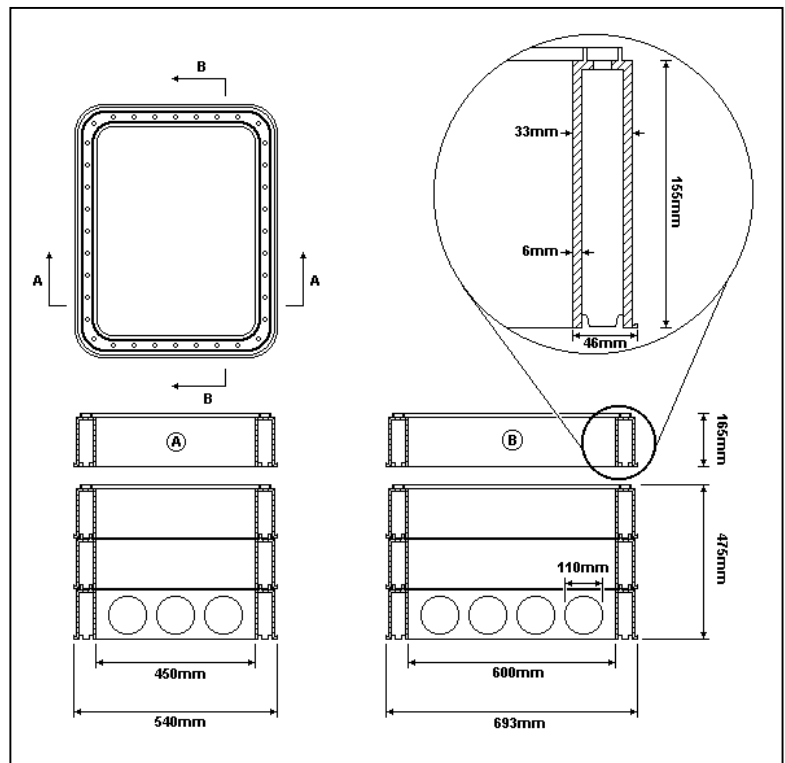
ITEM	DETAILS	DAT No.
CHAMBER	STAKKAbOX MODULA 450mm LONG x 450mm WIDE x 460mm DEEP	011
DUCT ENTRIES (pre-made)	3 x 110mm IN EACH 450mm SIDE OF THE BOTTOM SECTION	
FRAME & COVER OPTION 1	EN124 B125 COMPOSITE COVER & GALVANISED STEEL RAISING FRAME	
FRAME & COVER OPTION 2	EN124 B125 DUCTILE IRON COVER & FRAME	
FRAME & COVER OPTION 3	EN124 B125 CONCRETE INFILL COVER & GALVANISED STEEL RAISING FRAME	
COVER DETAIL (ALL)	BADGED 'TCSU'/LIGHTING'	



DUCT ENTRY NOTE: Duct entries can also be made on site, please refer to the Field Installation Guide FIG004.

600x450 CHAMBER
ITEM CODE : 1001020

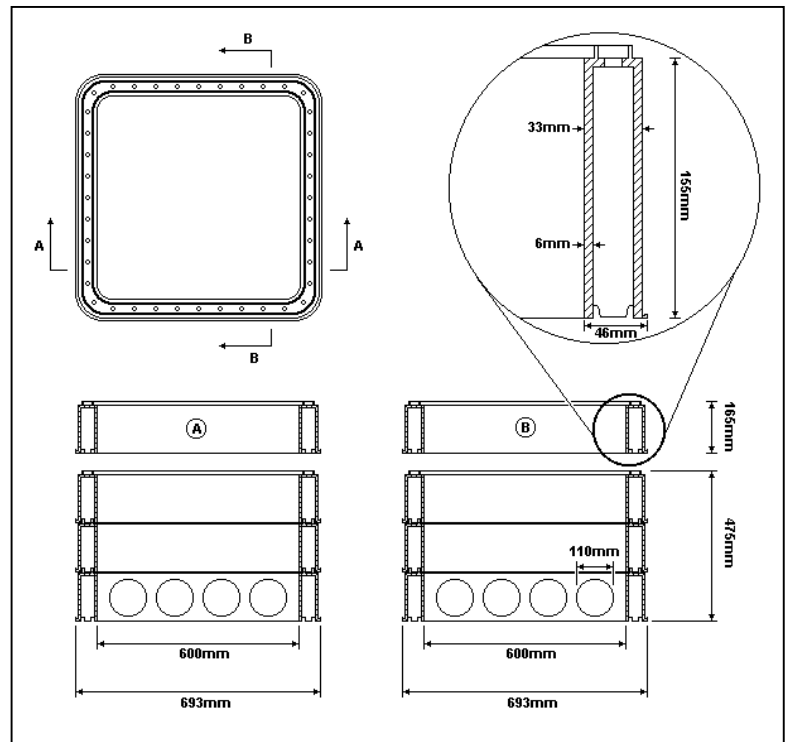
ITEM	DETAILS	DAT No.
CHAMBER	STAKKAbOX MODULA 600mm LONG x 450mm WIDE x 460mm DEEP	012
DUCT ENTRIES (pre-made)	4 x 110mm IN EACH 600mm & 3 x 110mm IN EACH 450mm SIDE OF THE BOTTOM SECTION	
FRAME & COVER OPTION 1	EN124 B125 COMPOSITE COVER & GALVANISED STEEL RAISING FRAME	
FRAME & COVER OPTION 2	EN124 B125 DUCTILE IRON COVER & FRAME	
FRAME & COVER OPTION 3	EN124 B125 CONCRETE INFILL COVER & GALVANISED STEEL RAISING FRAME	
FRAME & COVER OPTION 4	EN124 D400 DUCTILE IRON COVERS & FRAME	
COVER DETAIL (ALL)	BADGED 'TCSU'/'LIGHTING'	



DUCT ENTRY NOTE: Duct entries can also be made on site, please refer to the Field Installation Guide FIG004.

600x600 CHAMBER
ITEM CODE : 1001021

ITEM	DETAILS	DAT No.
CHAMBER	STAKKAbOX MODULA 600mm LONG x 600mm WIDE x 475mm DEEP	013
DUCT ENTRIES (pre-made)	4 x 110mm IN EACH 600mm SIDE OF THE BOTTOM SECTION	
FRAME & COVER OPTION 1	EN124 B125 COMPOSITE COVER & GALVANISED STEEL RAISING FRAME	
FRAME & COVER OPTION 2	EN124 B125 DUCTILE IRON COVER & FRAME	
FRAME & COVER OPTION 3	EN124 B125 CONCRETE INFILL COVER & GALVANISED STEEL RAISING FRAME	
FRAME & COVER OPTION 4	EN123 D400 DUCTILE IRON COVERS & FRAME	
COVER DETAIL (ALL)	BADGED 'TCSU'/LIGHTING'	



DUCT ENTRY NOTE: Duct entries can also be made on site, please refer to the Field Installation Guide FIG004.